

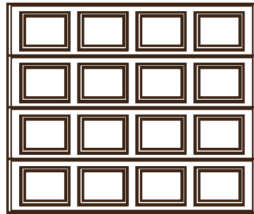
# COACH HOUSE

## ACCENTS

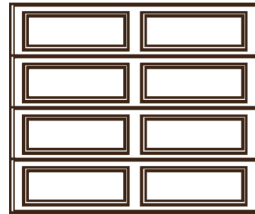
### Decorative Overlay Windows & Hardware for Garage Doors

#### Garage Door Specifications:

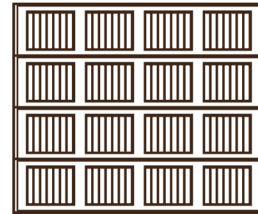
Coach House Accents Signature & Heritage Windows will fit on most Standard, Raised-Panel, Flat Panels and entry level steel carriage house style doors. This included "Short Panels" and "Long Panels".



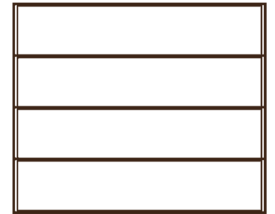
Short Raised Panel



Long Raised Panel

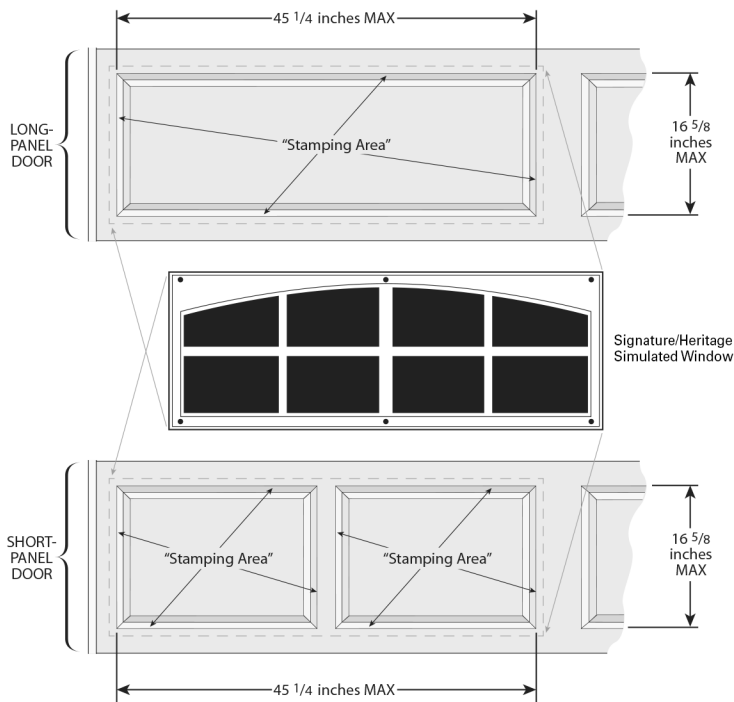


Vertical Ribs



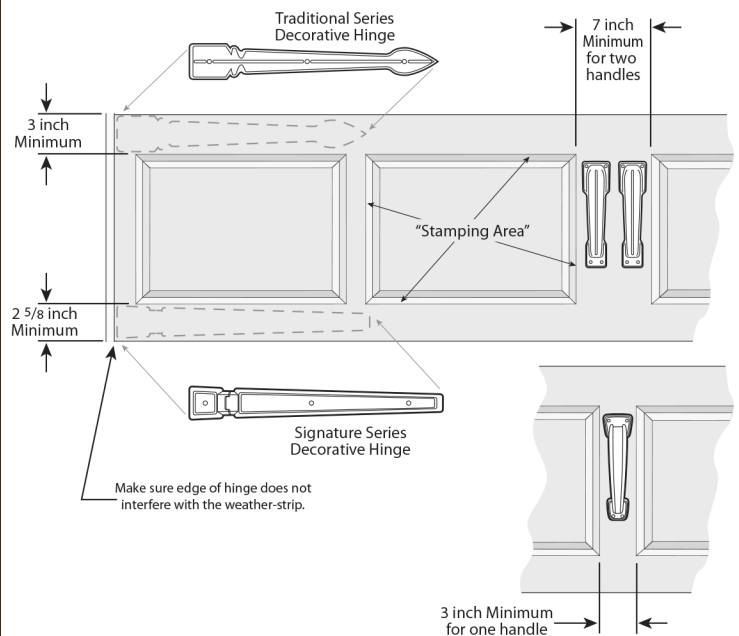
Flat Panel

#### Measuring for Window Installation:



- Measure to the outer edges of the stamping area(s)
- Full width cannot exceed 45 1/4 Inches
- Full height cannot exceed 16 5/8 Inches
- For 1 car garage door, use one kit (2 windows)
- For 2 car garage door, use 2 kits (4 windows)

#### Measuring for Hardware Installation:



- Measure to the outer edges of the stamping area
- Always measure with the door fully closed. Be sure hinges do not interfere with the weather stripping at the edge of the door or where the sections of the garage door meet.

#### PLEASE NOTE: ALWAYS MEASURE YOUR DOOR PANEL TO BE SURE!

Garage door manufacturers may change stamping sizes due to model and design changes. Action Industries cannot be responsible for these changes. Signature/Heritage windows are 45 1/4 Inches long by 16 5/8 Inches tall.

# COACH HOUSE

## ACCENTS

### Decorative Hardware for Garage Doors

#### Hinge Installation Instructions:

1. Verify that your Coach House Accents products will fit properly on your garage door.

2. Your garage door should be completely closed while installing this product to ensure proper alignment.

3. Position the hinges in the center of the horizontal surface of the garage door panel as shown below. Use your level to ensure that the mounting holes line up properly. Also be sure that the edge of the hinge does not interfere with the weatherseal or that it covers the gap between garage door panels.



4. Mark the holes with a pencil in the hardware as a guide to drill pilot holes.

5. Drill pilot holes using 1/8" drill bit into door.

6. Using the provided screws, fasten the hardware to the door..

Repeat this process for the other hinges.

Signature Hardware



Traditional Hardware



#### Your Hardware Kit Includes:

- 4 Hinges
- 2 Handles
- 20 Phillips-Head 1-1/2" Screws

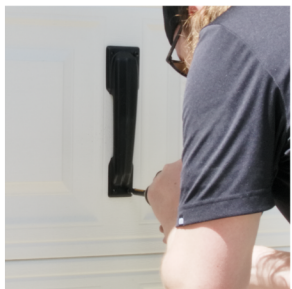
#### Tools Required For Installation:

- Electric Drill
- 1/8" Drill Bit
- Phillips-Head Drill Bit
- Pencil
- Tape Measure
- Level
- Step Ladder

#### Handle Installation Instructions:

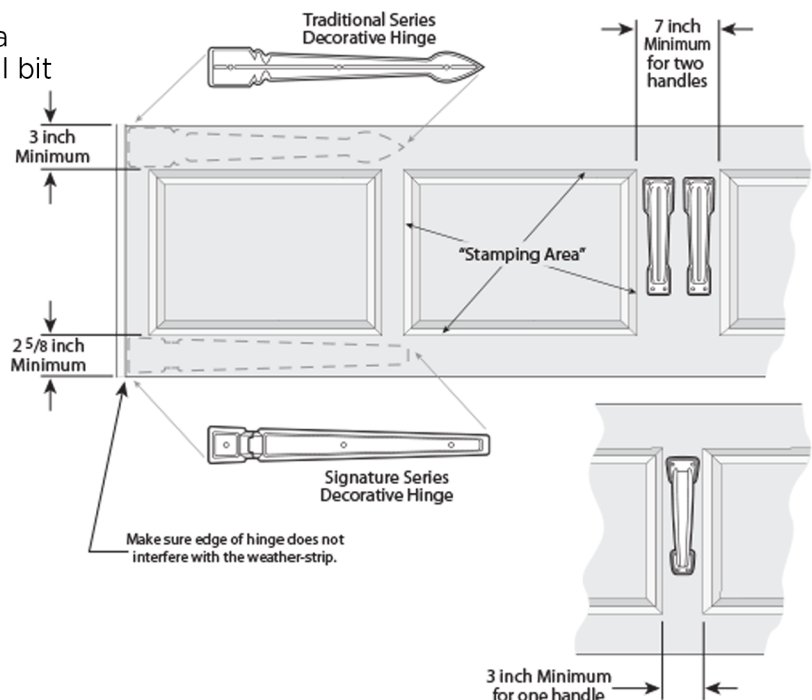
1. First measure the center vertical panel of your garage door to see if two handles will fit side by side. If the surface is 7" or more use two handles, if it is at least 3" but less than 7" use one handle.

2. Hold the handle in place and mark the holes using a pencil. Drill pilot holes on marked areas using 1/8" drill bit and electric drill.



3. Using the screws, attach the handle with electric drill.

Repeat if your door is sized for 2 handles.



#### PLEASE NOTE: ALWAYS MEASURE YOUR DOOR PANEL BEFORE YOU START!

Manufacturers may change stamping sizes due to model and design changes. Coach House Accents is not responsible for these changes. Always measure before you install to ensure proper fit.

# COACH HOUSE

## ACCENTS

### Decorative Overlay Windows & Hardware for Garage Doors

Elevate Exterior Style, Effortlessly



Heritage Windows



Traditional Hardware



Signature Hardware



Signature Windows

Enhance Curb Appeal In Minutes



More Style. More Securely Installed.



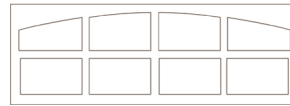
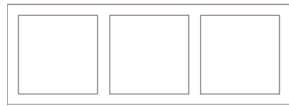
Easy DIY Installation



Weather & Fade Resistant



Made in the USA



**TAG US** in your Before & After Photos to **GET A DISCOUNT** your next order on garage door products!

Follow Us On Social!



/CoachHouseAccents



@CoachHouseAccents



/CoachHouseAccents



@CoachHouseAccents